



## Chipfox GPS Tracker

Chipfox GPS Tracker is small battery-operated, highly energy efficient device for tracking and securing of non-powered assets, animals or people. Communicates on Sigfox network. It doesn't need SIM card, you don't have to recharge credit or battery, battery lasts for several years. Signal is resistant to jamming. Tracker features can be customized via web and mobile applications.

- small dimensions and low weight
- extreme battery life (up to 7 years)
- high sensitivity GPS with active antenna, Sigfox Atlas geolocation
- 3D accelerometer for motion detection

## Technical description

### Mechanical features

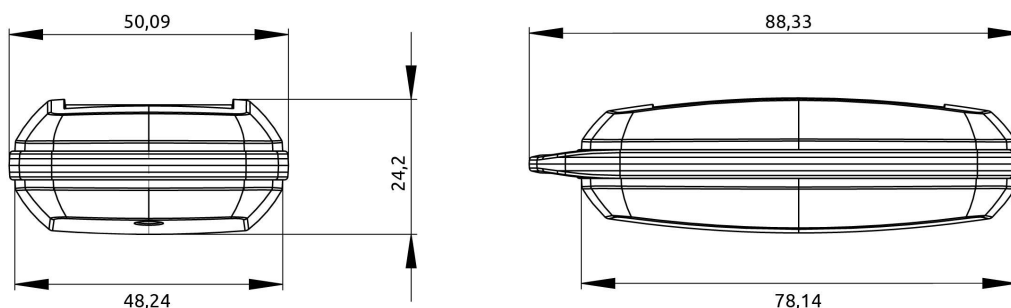
Housing: ABS plastic UL 94 HB

Dimensions: 78×48×24mm

Weight: 56g with battery

Operating temperature range: -30°C to +75°C

Fitment: more options with replaceable components



## Power

Battery: 1× CR123A (LiMnO<sub>2</sub> battery option for harsh environments), user replaceable

Designed to last 7 years at 1 message per day (without GPS), 2 years at 6 messages per day with GPS tracking

## GPS

GNSS: high sensitivity 56 channels ublox GNSS receiver with active antenna

Sensitivity: -162 dBm

## Sensors

Accelerometer: 3D ultra-low power, s ultra-nízkou spotřebou, adjustable

- Scale:  $\pm 2g/\pm 4g/\pm 8g/\pm 16g$

Thermometer: internal

Battery voltage measurement, low battery notification.

## Conectivity

Sigfox RC1: Europe, Oman, Iran, South Africa, Tunisia, UAE

## Certification

Sigfox Ready, class 0u

CE

